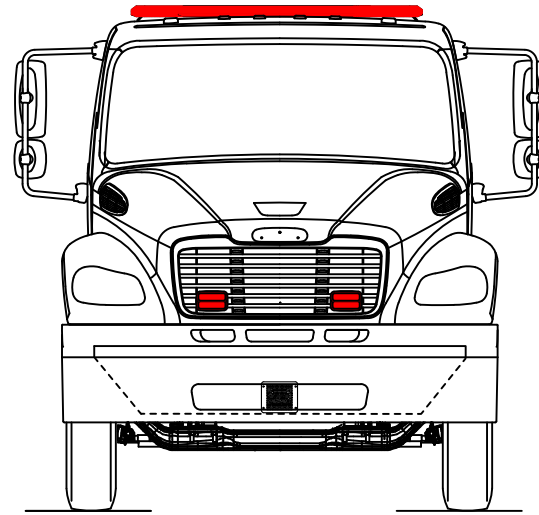


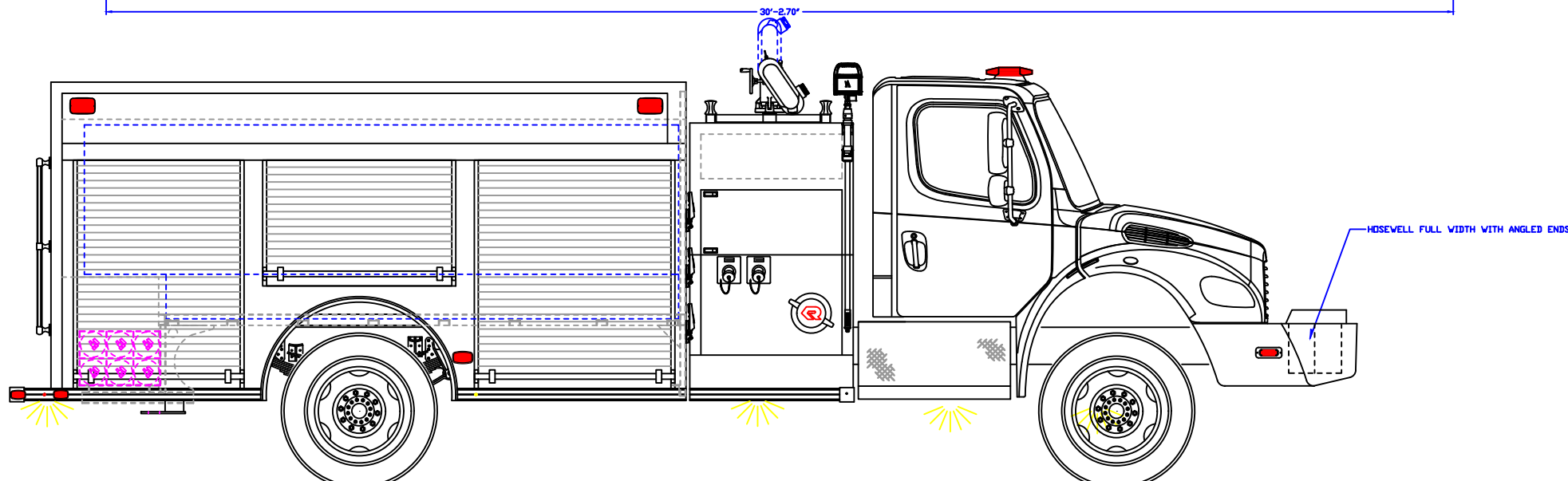
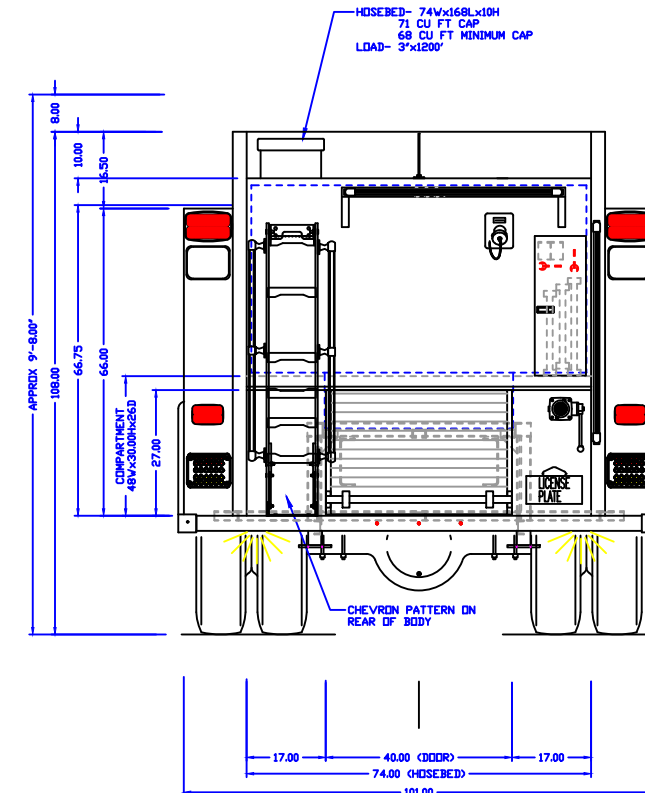
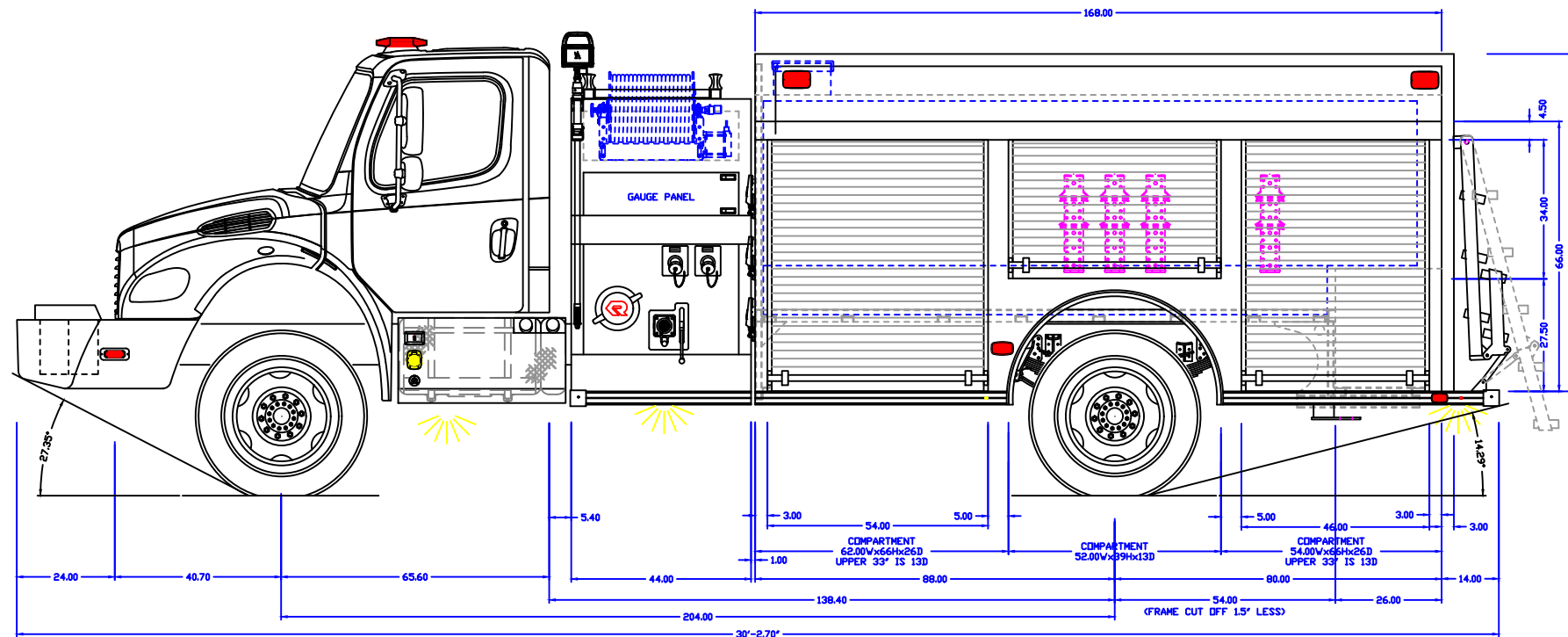
INITIALS: EH  
 JOB NUMBER: 19143  
 DATE: 2/22/2024

MAIN FILE: -  
 DEPT: -  
 DEALER: -

PRODUCTION APPROVED



- NOTES:
1. OVERALL HEIGHT IS IN LOADED CONDITION. UNLOADED HEIGHTS MAY BE 4" ABOVE HEIGHTS SHOWN.
  2. DO NOT SCALE DRAWING.
  3. ALL DIMENSIONS ARE APPROXIMATE AND SUBJECT TO ENGINEERING CHANGES.
  4. DRAWING MAY OR MAY NOT SHOW ALL ITEMS AS DESCRIBED IN THE WRITTEN DETAIL SPECIFICATIONS.
  5. INCLUSION OF AN ITEM ON THE DRAWING DOES NOT CONSTITUTE INCLUSION OF THAT ITEM WITH THE FINAL DELIVERED UNIT.
  6. THE EFFECTIVE DOOR OPENINGS WILL BE APPROX. 2" LESS THAN THE NOTED COMPARTMENT OPENING FOR ROLL UP DOORS AND UP TO APPROX. 4" LESS FOR HINGED DOORS



APPROVED BY:

CHASSIS: FREIGHTLINER 2DR  
 PUMP: HALE 1250 GPM  
 TANK: POLY/1800

REV 3	EH	DATE: 2/22/24	RELEASED
REV 2	KA	DATE: 2/6/24	DRAWING UPDATE TO EST SCRUB
REV 1	KA	DATE: 11/3/23	DRAWING UPDATE TO 1ST SCRUB
DRAWN:	MMA	DATE: 06-02-23	

PANEL MATL:	SST
COMP INTERIOR:	SPATTER PAINTED
MAXIMUM HEIGHT	NONE
MAXIMUM LENGTH	NONE
BODY WIDTH	101"

PROPRIETARY AND CONFIDENTIAL  
 THE INFORMATION CONTAINED IN THIS DRAWING IS  
 THE SOLE PROPERTY OF ROSENBAUER. ANY  
 REPRODUCTION IN PART OR AS A WHOLE WITHOUT  
 THE WRITTEN PERMISSION OF ROSENBAUER IS  
 PROHIBITED.

ALLIGATOR POINT, FL



ROSENBAUER FX 3/16"

DRAWING NUMBER: ALLIGATOR POINT, FL  
 REV 3